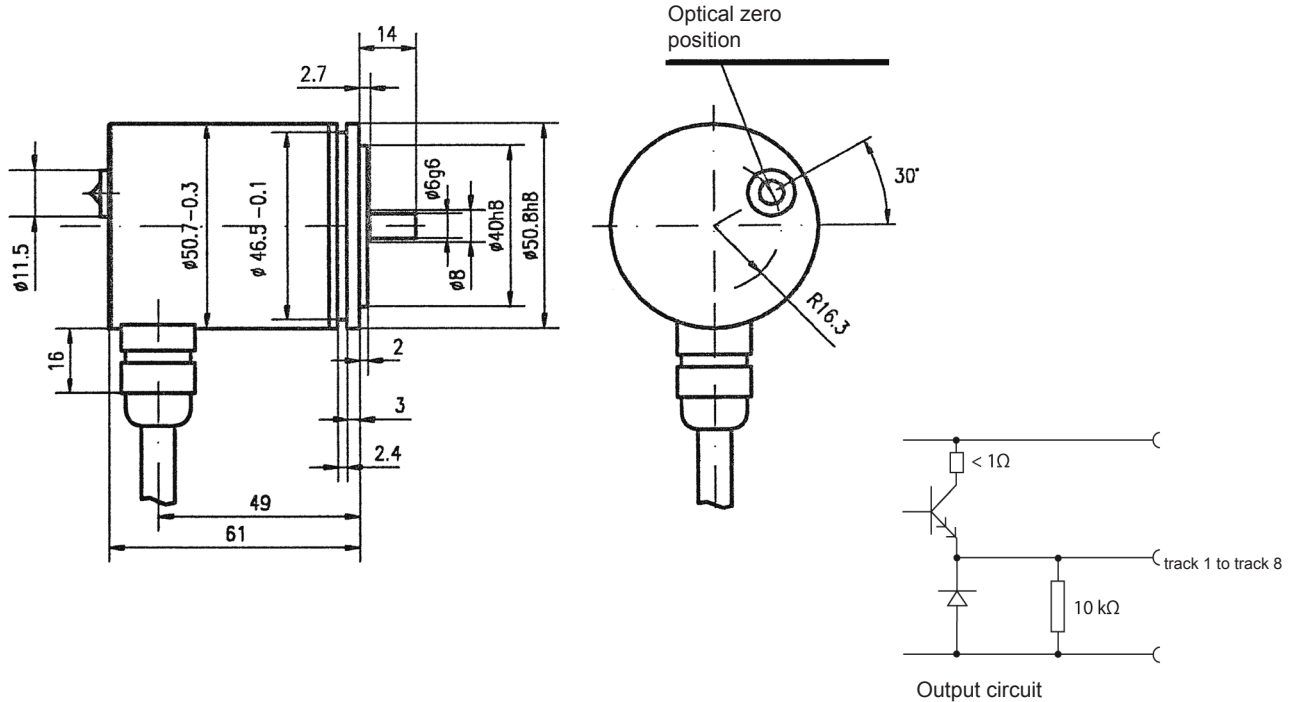


Encoder - Series BRGD2-WFD...-K-SA12...

Nr. 710821 E • Edition 1609

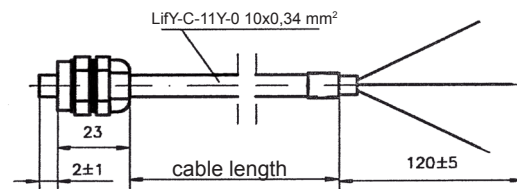


Drawing



Technical Data

Code	BINARY
Positions/Rotation	see classification
Outputs	8, short circuit protected
Accuracy	$\pm \frac{1}{2}$ bit (at 24 V DC)
Repeatability	$\pm 45^\circ$ el.
Switching frequency	$\leq 1,5$ kHz (LSB)
Supply Voltage V_s	15 ... 30 V DC
Ripple	$\leq 10\%$
Output voltage V_o	$\geq V_s - 3$ V (without load)
No-load current I_R	typ. 50 mA (at $V_s = 24$ V DC)
Output current I_o	< 50 mA (at $V_s = 24$ V DC)
Load capacitance C	300 nF (incl. cable capacity)
Housing material	aluminium
Mounting method	clamps
Operating temperature	0 bis 60 °C
Storage temperature	-20 bis +80 °C
Enclosure	IP 67 IEC 529
RPM	max. 6000/min
Shaft loading	$F_{AX} \leq 10$ N; $F_{RAD} \leq 25$ N
Vibration	10 g, 10...150 Hz (IEC 68: 2-6)
Shock	50 g/ 11 ms (IEC 68: Part 2-27)
EMC-Guideline	EN 55 011:1997+A1 (Emission)
	EN 61 000 (Immunity)



Pin Configuration	Function	Wire color
Configuration	Function	Wire color
+ V_s	Supply voltage	BN, brown
0V	Ground	BU, blue
Track 1	Code	BK, black
Track 2	Code	WH, white
Track 3	Code	YE, yellow
Track 4	Code	GN, green
Track 5	Code	VI, violet
Track 6	Code	PK, pink
Track 7	Code	RD, red
Track 8	Code	not connected
LED	Zero position	
Shield	-	transparent

Subject to change without notice