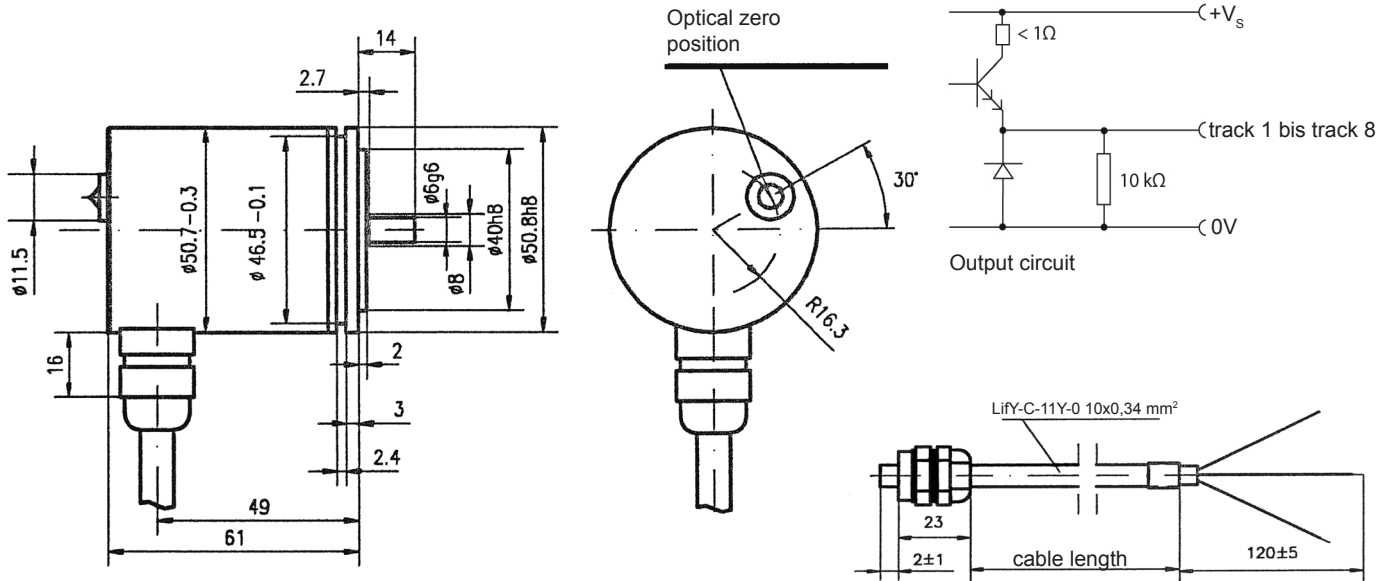


Drawing



Technical Data

Code	BINARY
Positions/Rotation	see classification
Outputs	8, short circuit protected
Accuracy	$\pm \frac{1}{2}$ bit (at 24 V DC)
Repeatability	$\pm 45^\circ$ el.
Switching frequency	≤ 25 kHz (LSB)
Supply Voltage V_s	15 ... 30 V DC
Ripple	$\leq 10\%$
Output voltage V_o	$\geq V_s - 3$ V
No-load current I_R	typ. 50 mA (at $V_s = 24$ V DC)
Output current I_o	< 50 mA (at $V_s = 24$ V DC)
Load capacitance C	100 nF (incl. cable capacity)
Housing material	aluminium
Mounting method	clamps
Operating temperature	0 bis 60° C
Storage temperature	-20 bis $+80^\circ$ C
Enclosure	IP 67 IEC 529
RPM	max. 6000/min
Shaft loading	$F_{AX} \leq 10$ N; $F_{RAD} \leq 25$ N
Vibration	10 g, 10...150 Hz (IEC 68: 2-6)
Shock	50 g/ 11 ms (IEC 68: Part 2-27)
EMC-Guideline	EN 55 011:1997+A1 (Emission)
	EN 61 000 (Immunity)

Type	Article-Nr.	Sauter-Ident-Nr.
BRGD2-WCD08-EP-P-L-K-SA1-00,11	783629	86746
BRGD2-WCD08-EP-P-R-K-SA1-00,11	783628	86747
BRGD2-WCD08-EP-P-R-K-SA1-01	783685	86749
BRGD2-WCD12-EP-P-L-K-SA1-00,11	783627	86750
BRGD2-WCD12-EP-P-L-K-SA1-01	112051	86752
BRGD2-WCD12-EP-P-R-K-SA1-01	783495	86753
BRGD2-WCD12-EP-P-R-K-SA1-00,11	783686	86751
BRGD2-WCD16-EP-P-L-K-SA1-0,5	782956	87882
BRGD2-WCD16-EP-P-R-K-SA1-0,5	782957	87883
BRGD2-WAD24-EP-P-L-K-SA1-01	783117	87886

Pin Configuration	Function	Wire color	< 16 Pos.	≥ 16 Pos.
$+V_s$	Supply voltage	BN, brown	BN, brown	BN, brown
0V	Ground	BU, blue	BU, blue	BU, blue
Track 1	Code	RD, red	RD, red	RD, red
Track 2	Code	BK, black	BK, black	BK, black
Track 3	Code	WH, white	WH, white	WH, white
Track 4	Code	YE, yellow	YE, yellow	YE, yellow
Track 5	Code	GN, green	GN, green	GN, green
Track 6	Code	VI, violett	VI, violett	VI, violett
Track 7	Code	PK, pink	GY, grey	GY, grey
Track 8	Code	GY, grey	PK, pink	PK, pink
LED	Zero position			
Shield	-	transparent		

Subject to change without notice